

# PRODUCT BROCHURE

---

**2024** usWSRseries

# Quick Selection Guide



## US voltage model

Product Info			Output			Battery		Solar Panel	Output Mode		
Series	Model	Page	Rated Power	Output Phase	Can Be Paralleled	Battery Voltage	Max. Hybrid Charging Current	Max. Open Circuit Voltage	Off-grid	Power the Load Without Battery	On-grid
SEI	SEI-12K-UP	P13	12kW	Single-phase / split-phase / three-phase when in parallel	1~6 units	48V	200A	500Vdc+500Vdc	√	√	√
	SEI-10K-UP	P13	10kW								
	SEI-8K-UP	P13	8kW								
SPI	SPI-10K-U	P18	10kW	Single-phase or split-phase	Can't	48V	200A	500Vdc+500Vdc	√	√	
	SPI-8K-U	P18	8kW				180A				
SYP	SYP 5K-U	P21	5kW	Single-phase / split-phase when in parallel / three-phase when in parallel	1~6 units	48V	100A	500Vdc	√	√	
HSI	HSI 5000U	P24	5kW	Single-phase	Can't	48V	80A	500Vdc	√		
	HSI 3000U	P27	3kW			24V	100A	108Vdc			

<b>SEI Series</b>	4kW-12kW	<b>SPI Series</b>	8kW-12kW	<b>SYP Series</b>	5kW	<b>HSI Series</b>	3kW-5.5kW
-------------------	----------	-------------------	----------	-------------------	-----	-------------------	-----------



# Product Parameter

EU model

MODEL	SEI-4K-SP	SEI-4.6K-SP	SEI-5K-SP SEI-5.5K-SP	SEI-6K-SP
<b>OFF-GRID OUTPUT</b>				
Rated Output Power	4,000W	4,600W	5,500W	6,000W
Rated Output Voltage	230Vac, single-phase or three-phase when in parallel			
<b>ON-GRID OUTPUT</b>				
Rated Output Power	4,000W	4,600W	5,500W	6,000W
Max. Apparent Power	8,000VA	9,200VA	11,000VA	12,000VA
Rated Output Current	17.4A	20A	24A	26A
Max. Output Current	19.1A	22A	26.4A	28.6A
Rated Output Voltage	230Vac, single-phase or three-phase when in parallel			
<b>BATTERY</b>				
Battery Type	Lead-acid / Li-ion / User-defined			
Rated Battery Voltage	48Vdc			
Battery Voltage Range	40~60Vdc			
Max. Utility Charging Current	60A			
Max. Generator Charging Current	60A			
Max. Hybrid Charging Current	100A			
<b>PV INPUT</b>				
Num. of MPPT	2			
Max. PV Array Power	3,000W+3,000W	3,500W+3,500W	4,000W+4,000W	4,500W+4,500W
Max. Input Current	16A+16A			
Max. Open-circuit Voltage	500Vdc+500Vdc			
<b>UTILITY / GENERATOR INPUT</b>				
Input Voltage Range	90~280Vac			
Input Frequency Range	50/60Hz			
Bypass Overload Current	40A			
<b>GENERAL</b>				
Num. of Parallel	1~6 units			
Dimensions	556*345*182mm			
Weight	20kg			
Protection Degree	IP65			
Operating Temp. Range	-25~60°C, >45°C derated			
Cooling Method	heatsink & intelligent air cooling			
Warranty	5 years			
<b>COMMUNICATION</b>				
Internal Interface	RS485 / CAN / USB / Dry contact			
External Module (optional)	Wi-Fi / GPRS			

# Product Parameters

US model

MODEL	SEI-8K-UP	SEI-10K-UP	SEI-12K-UP
<b>INVERTER OUTPUT</b>			
Rated Output Power	8,800W	10,000W	12,000W
Peak Power	17,600VA	20,000VA	24,000VA
Rated Output Voltage	120/240Vac, single-phase / split-phase / three-phase when in parallel		
Load Capacity of Motors	5HP	6HP	
Rated Output Frequency	50/60Hz		
<b>BATTERY</b>			
Battery Type	Lead-acid / Li-ion / User-defined		
Rated Battery Voltage	48V		
Max. PV Charging Current	200A		
Max. Utility Charging Current	120A		
Max. Generator Charging Current	60A		
Max. Hybrid Charging Current	200A		
<b>PV INPUT</b>			
Num. of MPPT	2		
Max. PV Array Power	5,500W+5,500W	6,600W+6,600W	
Max. Input Current	22A+22A		
Max. Open-circuit Voltage	500Vdc+500Vdc		
MPPT Operating Voltage Range	125~425Vdc		
<b>UTILITY / GENERATOR INPUT</b>			
Input Voltage Range	90~140Vac		
Frequency Range	50/60Hz		
<b>GENERAL</b>			
Num. of Parallel	1~6 units		
Dimensions	750*440*240mm		
Weight	42kg		
Protection Degree	IP65		
Operating Temp. Range	-25~60°C, >45°C derated		
Cooling Method	intelligent air cooling		
Warranty	5 years		
<b>COMMUNICATION</b>			
Internal Interface	RS485 / CAN / USB / Dry contact		
External Module (optional)	Wi-Fi / GPRS		

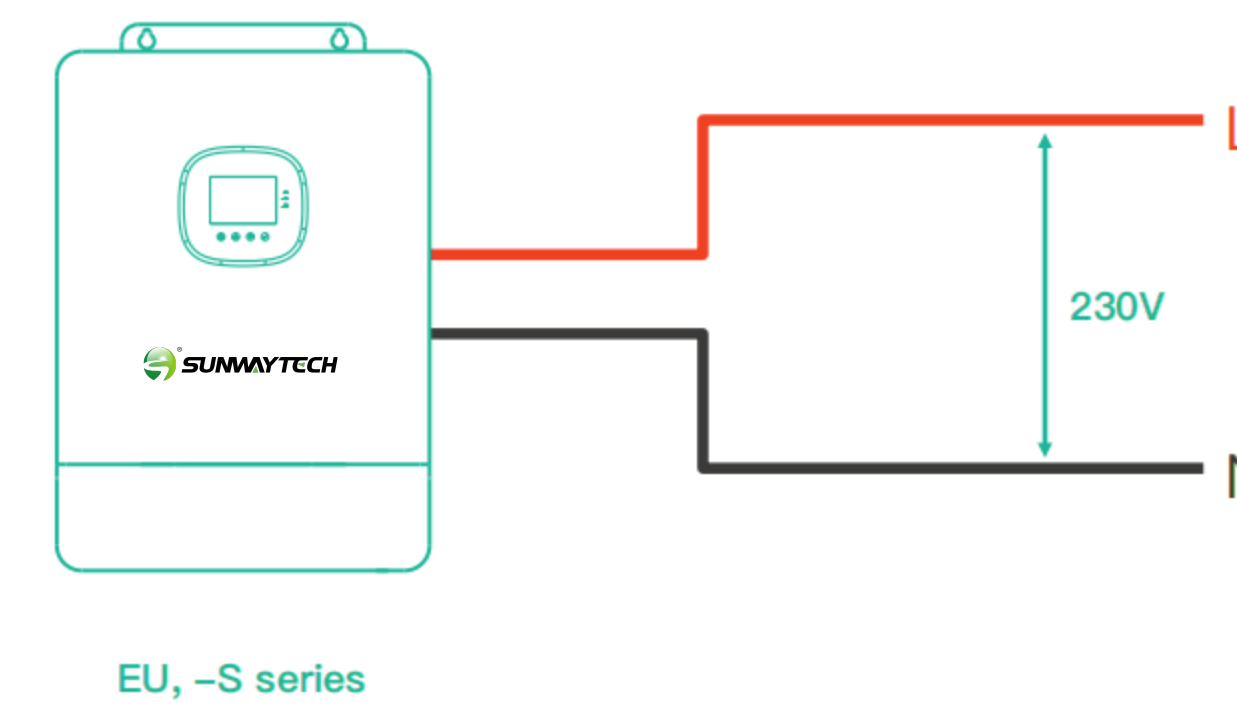
# Product Parameter

US model

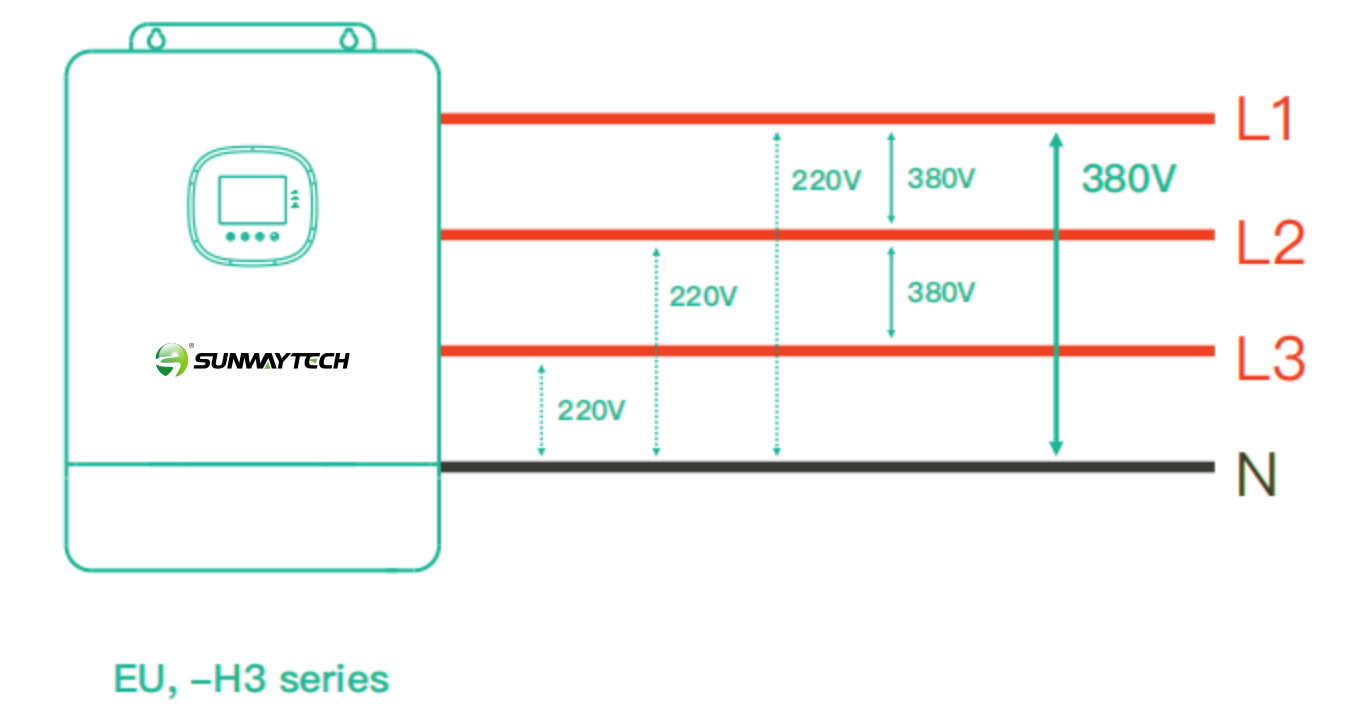
# Output mode

MODEL	SPI-8K-U	SPI-10K-U
<b>INVERTER OUTPUT</b>		
Rated Output Power	8,000W	10,000W
Peak Power	16,000W	20,000W
Rated Output Voltage	120Vac, single-phase / 240Vac, split-phase	
Load Capacity of Motors	5HP	6HP
Rated AC Frequency	50/60Hz	
Waveform	pure sine wave	
Switch Time	10ms (typical)	
<b>BATTERY</b>		
Battery Type	Li-ion / Lead-acid / User-defined	
Rated Battery Voltage	48Vdc	
Battery Voltage Range	40~60Vdc	
Max. PV Charging Current	180A	200A
Max. Utility/Generator Charging Current	100A	120A
Max. Hybrid Charging Current	180A	200A
<b>PV INPUT</b>		
Num. of MPPT	2	
Max. PV Array Power	5,500W+5,500W	
Max. Input Current	22A+22A	
Max. Open-circuit Voltage	500Vdc+500Vdc	
MPPT Voltage Range	125~425Vdc	
<b>UTILITY / GENERATOR INPUT</b>		
Input Voltage Range	90~140Vac	
Frequency Range	50/60Hz	
Bypass Overload Current	63A	
<b>GENERAL</b>		
Dimensions	620*445*130mm	
Weight	27kg	
Protection Degree	IP20, indoor only	
Operating Temp. Range	-10~55°C, >45°C derated	
Cooling Method	intelligent air cooling	
Warranty	18 months	
<b>COMMUNICATION</b>		
Embedded Interfaces	RS485 / CAN / USB / Dry contact	
External Module (optional)	Wi-Fi / GPRS	

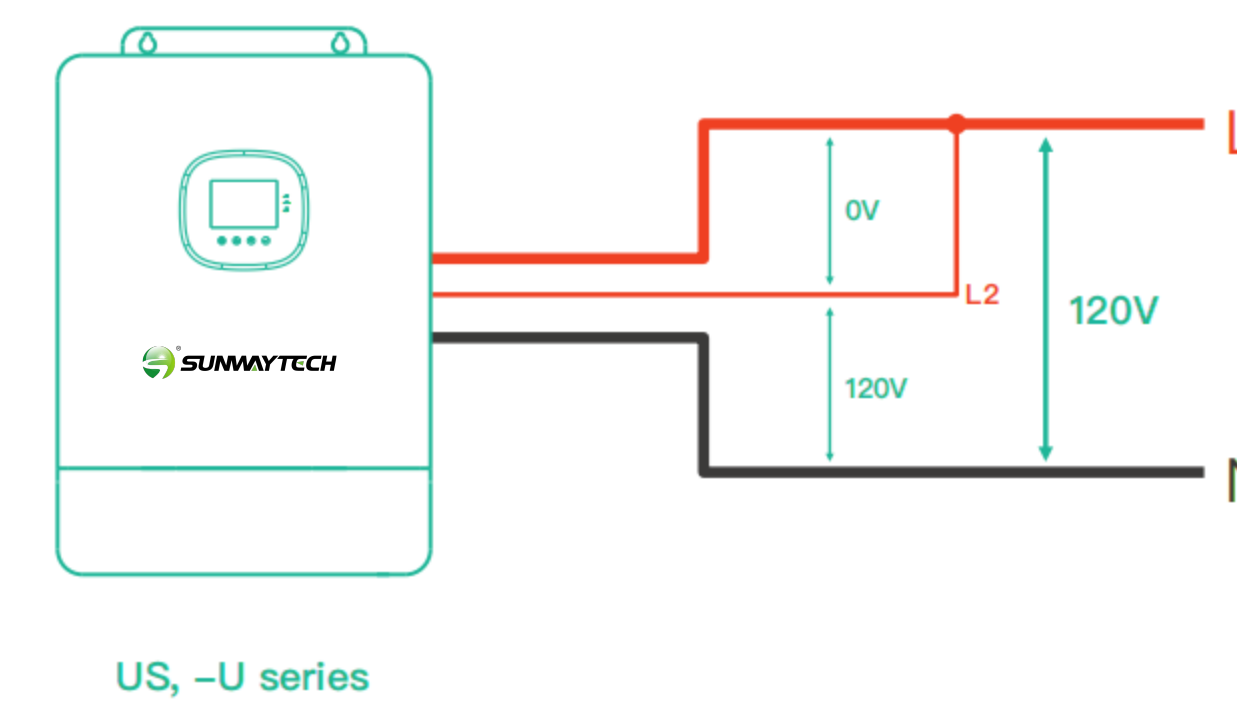
## Single-phase



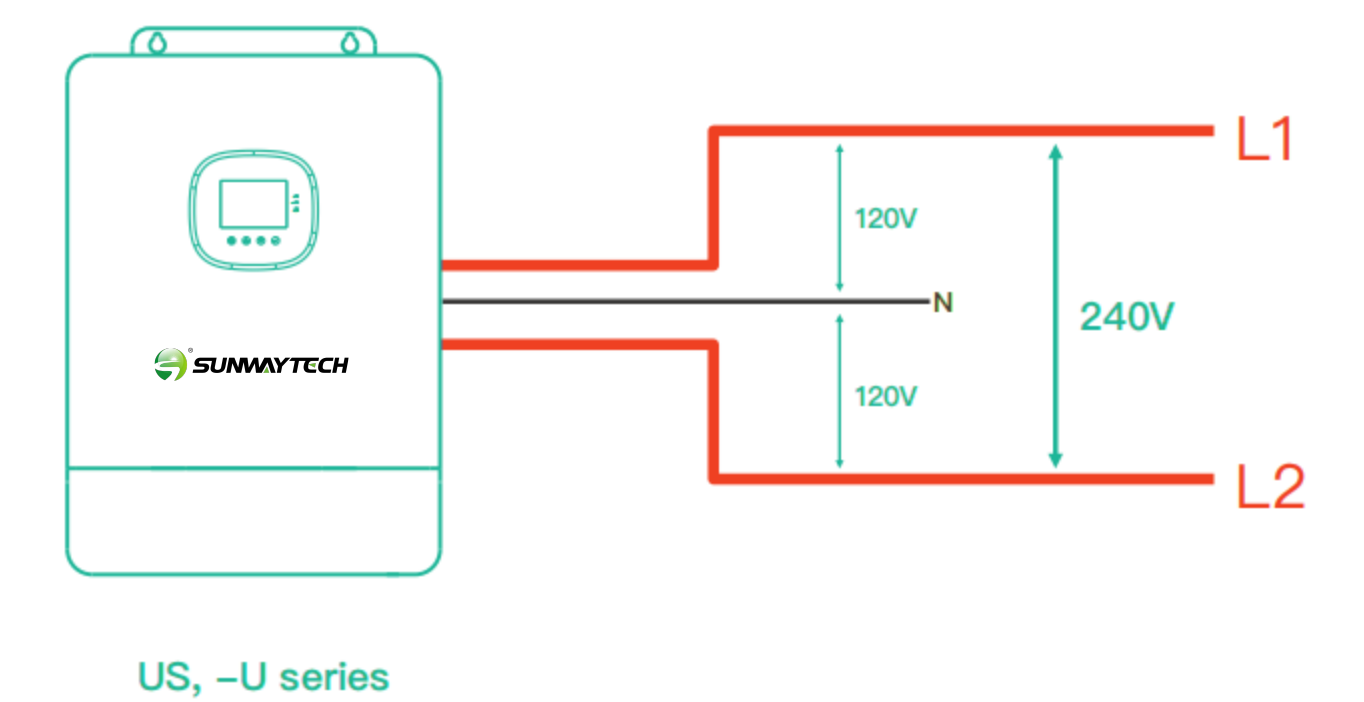
## Three-phase



## Single-phase



## Split-phase





### Product features

- Up to 6 units in parallel
- Up to 22A PV input current
- Up to 99.9% MPPT tracking efficiency
- Support Li-ion battery BMS dual activation
- Up to 100A charging current
- Time-slot charging & discharging
- Comprehensive protection

MODEL	SYP 5K-S	SYP 5K-U
<b>INVERTER OUTPUT</b>		
Rated Output Power	5,000W	
Peak Power	10,000VA	
Rated Output Voltage	230Vac, single-phase or three-phase when in parallel	120Vac, single-phase / split-phase when in parallel / three-phase when in parallel
Load Capacity of Motors	4HP	
Rated AC Frequency	50/60Hz	
Waveform	pure sine wave	
Switch Time	10ms (typical)	
<b>BATTERY</b>		
Battery Type	Li-ion / Lead-acid / User-defined	
Rated Battery Voltage	48Vdc	
Voltage Range	40~60Vdc	
Max. PV Charging Current	100A	
Max. Utility/Generator Charging Current	60A	40A
Max. Hybrid Charging Current	100A	
<b>PV INPUT</b>		
Num. of MPPT	1	
Max. PV Array Power	5,500W	
Max. Input Current	22A	
Max. Open-circuit Voltage	500Vdc	
MPPT Voltage Range	120~450Vdc	
<b>UTILITY / GENERATOR INPUT</b>		
Input Voltage Range	90~280Vac	90~140Vac
Frequency Range	50/60Hz	
Bypass Overload Current	40A	63A
<b>GENERAL</b>		
Num. of Parallel	1~6 units	
Dimensions	446.9*350*133mm	
Weight	13kg	14kg
Protection Degree	IP20, indoor only	
Operating Temp. Range	-10~55°C	
Cooling Method	intelligent fan	
Warranty	18 months	
<b>COMMUNICATION</b>		
Embedded Interfaces	RS485 / USB / Dry contact	
External Module (optional)	Wi-Fi / GPRS	

# Product Parameter

EU model/US model

MODEL	HSI 5500	HSI 5000U
<b>INVERTER OUTPUT</b>		
Rated Output Power	5,500W	5,000W
Peak Power	11,000VA	11,000VA
Rated Output Voltage	230Vac, single-phase	120Vac, single-phase
Load Capacity of Motors	4HP	
Rated AC Frequency	50Hz/60Hz	
Waveform	pure sine wave	
Switch Time	10ms (typical)	
<b>BATTERY</b>		
Battery Type	Lead-acid / Li-ion / User-defined	
Rated Battery Voltage	48V	
Voltage Range	40~60Vdc	
Max. PV Charging Current	100A	80A
Max. Utility/Generator Charging Current	60A	40A
Max. Hybrid Charging Current	100A	80A
<b>PV INPUT</b>		
Num. of MPPT	1	
Max. PV Array Power	6,000W	6,000W
Max. Input Current	22A	22A
Max. Open-circuit Voltage	500Vdc	
MPPT Voltage Range	120~450Vdc	
<b>UTILITY/ GENERATOR INPUT</b>		
Input Voltage Range	UPS mode: 170~280Vac; APL mode: 90~280Vac	90~140Vac
Frequency Range	50/60Hz	
Bypass Overload Current	40A	63A
<b>GENERAL</b>		
Dimensions	426*322*126mm	
Weight	10.5kg	11.6kg
Protection Degree	IP20, indoor only	
Operating Temp. Range	-10°C~55°C	
Cooling Method	intelligent fan	
Warranty	18 months	
<b>COMMUNICATION</b>		
Embedded Interfaces	RS485 / USB / Dry contact	
External Module (optional)	Wi-Fi / GPRS	

# Product Parameter

EU model

MODEL	HSI 3500
<b>INVERTER OUTPUT</b>	
Rated Output Power	3,500W
Peak Power	6,000VA
Rated Output Voltage	230Vac, single-phase
Load Capacity of Motors	2HP
Rated AC Frequency	50Hz/60Hz
Waveform	pure sine wave
Switch Time	10ms (typical)
<b>BATTERY</b>	
Battery Type	Lead-acid / Li-ion / User-defined
Rated Battery Voltage	24V
Voltage Range	20~33Vdc
Max. PV Charging Current	80A
Max. Utility/Generator Charging Current	80A
Max. Hybrid Charging Current	80A
<b>PV INPUT</b>	
Num. of MPPT	1
Max. PV Array Power	4,000W
Max. Input Current	13A
Max. Open-circuit Voltage	500Vdc
MPPT Voltage Range	120~450Vdc
<b>UTILITY / GENERATOR INPUT</b>	
Input Voltage Range	UPS mode: 170~280Vac; APL mode: 90~280Vac
Frequency Range	50/60Hz
Bypass Overload Current	30A
<b>GENERAL</b>	
Dimensions	378*280*103mm
Weight	7.4kg
Protection Degree	IP20, indoor only
Operating Temp. Range	-10°C~55°C
Cooling Method	intelligent fan
Warranty	18 months
<b>COMMUNICATION</b>	
Embedded Interfaces	RS485 / CAN / USB / Dry contact
External Module (optional)	Wi-Fi / GPRS

# Product Parameter

EU model

MODEL	HSI 3000R
<b>INVERTER OUTPUT</b>	
Rated Output Power	3,300W
Peak Power	6,000VA
Rated Output Voltage	230Vac, single-phase
Load Capacity of Motors	2HP
Rated AC Frequency	50Hz/60Hz
Waveform	pure sine wave
Switch Time	10ms (typical)
<b>BATTERY</b>	
Battery Type	Lead-acid / Li-ion / User-defined
Rated Battery Voltage	48V
Voltage Range	40~60Vdc
Max. PV Charging Current	60A
Max. Utility/Generator Charging Current	60A
Max. Hybrid Charging Current	120A
<b>PV INPUT</b>	
Num. of MPPT	1
Max. PV Array Power	3,400W
Max. Input Current	40A
Max. Open-circuit Voltage	145Vdc
MPPT Voltage Range	60~115Vdc
<b>UTILITY / GENERATOR INPUT</b>	
Input Voltage Range	UPS mode: 170~280Vac; APL mode: 90~280Vac
Frequency Range	50/60Hz
Bypass Overload Current	30A
<b>GENERAL</b>	
Dimensions	378*280*103mm
Weight	6.2kg
Protection Degree	IP20, indoor only
Operating Temp. Range	-15°C~55°C
Cooling Method	intelligent fan
Warranty	18 months
<b>COMMUNICATION</b>	
Embedded Interfaces	RS485 / USB / Dry contact
External Module (optional)	Wi-Fi / GPRS

# Product Parameter

EU model/US model

MODEL	HSI 3000S	HSI 3000U
<b>INVERTER OUTPUT</b>		
Rated Output Power	3,000W	
Peak Power	6,000VA	
Rated Output Voltage	230Vac, single-phase	120Vac, single-phase
Load Capacity of Motors	2HP	
Rated AC Frequency	50Hz/60Hz	
Waveform	pure sine wave	
Switch Time	10ms (typical)	
<b>BATTERY</b>		
Battery Type	Lead-acid / Li-ion / User-defined	
Rated Battery Voltage	24V	
Voltage Range	20~33Vdc	
Max. PV Charging Current	60A	60A
Max. Utility/Generator Charging Current	80A	40A
Max. Hybrid Charging Current	140A	100A
<b>PV INPUT</b>		
Num. of MPPT	1	
Max. PV Array Power	1,600W	
Max. Input Current	40A	
Max. Open-circuit Voltage	108Vdc	
MPPT Voltage Range	30~90Vdc	
<b>UTILITY / GENERATOR INPUT</b>		
Input Voltage Range	UPS mode: 170~280Vac; APL mode: 90~280Vac	90~140Vac
Frequency Range	50/60Hz	
Bypass Overload Current	30A	40A
<b>GENERAL</b>		
Dimensions	378*280*103mm	
Weight	6.8kg	
Protection Degree	IP20, indoor only	
Operating Temp. Range	-10°C~55°C	
Cooling Method	intelligent fan	
Warranty	18 months	
<b>COMMUNICATION</b>		
Embedded Interfaces	RS485 / USB / Dry contact	
External Module (optional)	Wi-Fi / GPRS	



SUNWAY SOLAR CO., LTD.  
Building 7, Cross-border E-commerce Supervision Zone,  
Huguang Road, Shushan District, Hefei City, Anhui Province, China  
0086-551-63637817