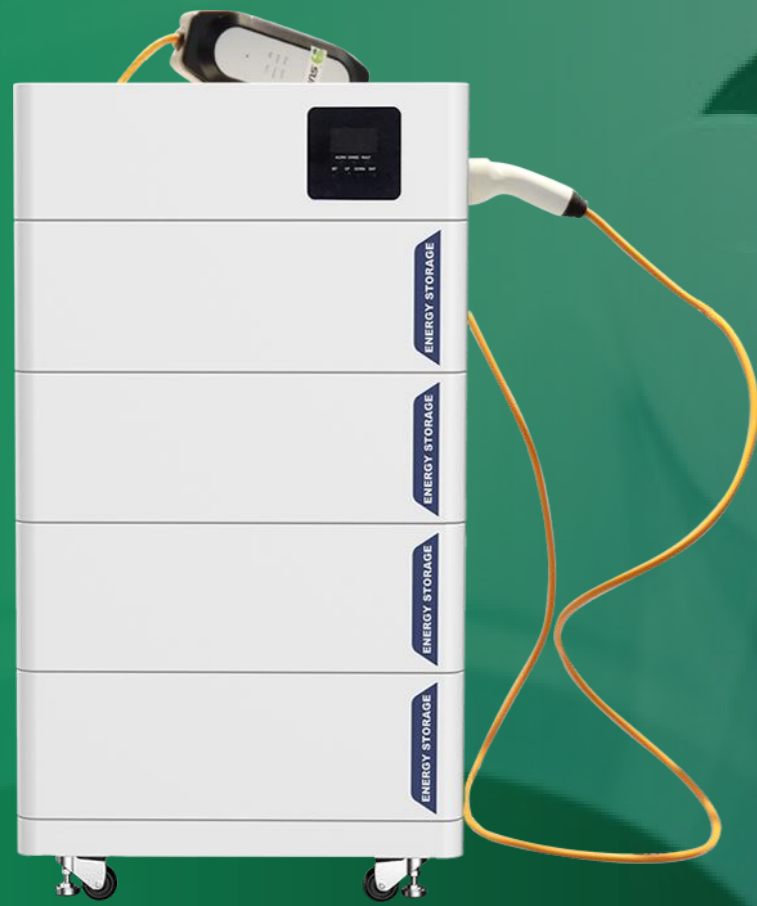


# Portable and Removable EV Charger

Low Voltage Stacked Lithium Battery+Off Grid Inverter+Portable EV Charger



# LOW VOLTAGE STACKED LITHIUM BATTERY

This battery adopts modular design, including power module and battery expansion module, so it can be easily combined into any capacity system required by users. The energy storage module adopts high performance and long life lithium iron phosphate battery. Meanwhile, each module consists of 16 100Ah cells connected in series into a 51.2v voltage battery module. Two to fifteen modules can be connected in parallel to expand the capacity and power of the energy storage system. A modular structural design was used. Each energy storage module is integrated with a BMS system, which can be easily expanded and combined with up to 75kwh battery pack.

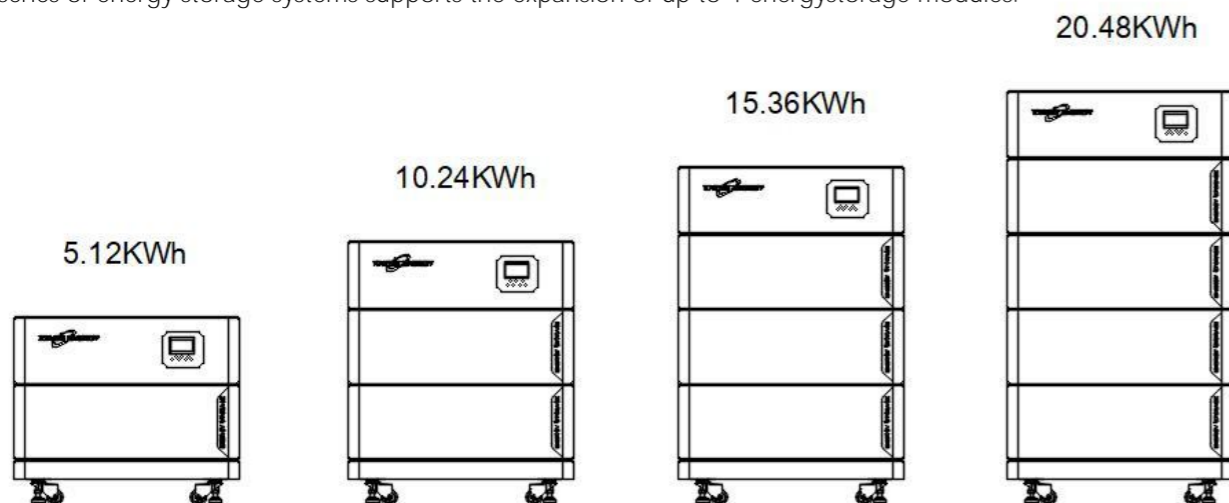


## ★ MAIN FEATURES

- The power module adopts a new topological circuit design
- High control accuracy, small volume
- The mains charging module adopts advanced control algorithm to realize full digital double closed-loop control of voltage and current
- AC voltage input range is wide, the input and output protection function is complete, can achieve stable and reliable battery charging and protection
- Suitable for household appliances, power tools and other AC loads
- The inverter module is based on full digital intelligent design, adopts advanced SPWM technology

## ★ DESCRIPTION OF ENERGY STORAGE CAPACITY

This series of energy storage systems supports the expansion of up to 4 energystorage modules.



## ★ PERFORMANCE PARAMETER

Models	SW51100			
Single Module Capacity	5.12kwh			
Module Number	1	2	3	4
Rated Capacity	5.12kwh	10.24kwh	15.36kwh	20.48kwh
Nominal Voltage	51.2V			
Working Voltage	44V-58.4V			
Nominal Discharging Current	100A	200A	300A	400A
Nominal Charging Current	50A	100A	150A	200A
Recommended Discharge Level	80%			
Humidity	20%-60%			
Installation Method	Stacked mode			
Protection Level	IP20			
Communication Protocol	CAN/RS485/RS232 (WIFI Optional)			
Dimension/module	600*440*200mm			
Net Weight/module	40kg			
<b>Battery Pack Parameters</b>				
Cell Type	LFP			
Battery Rated Input Voltage	51.2VDC			
Hybrid Charging Maximum Charging Current	80A			
Battery Pack Voltage Range	40VDC-60VDC			
<b>Photovoltaic Input Parameters</b>				
Maximum PV Open Circuit Voltage	500VDC			
PV Working Voltage Range	120V-500VDC			
MPPT Voltage Range	120V-450VDC			
Maximum PV Input Current	16A			
Maximum PV Input Power	5500W			
Maximum PV Charging Current	100A			
<b>AC parameters (Grid-connected side)</b>				
Maximum Charging Current	60A			
Rated Input Voltage	220V/230VAC			
Input Voltage Range	170VAC-280VAC			
Frequency	50Hz/60Hz			
Charging Efficiency	>95%			
Switching Time	10ms			
Maximum Bypass Overload Current	40A			
<b>AC output parameters (Grid-connected side)</b>				
Output Voltage Waveform	Pure sine wave			
Rated Output Voltage	230VAC±5%			
Rated Output Power	5000W			
Peak Power	10000VA			

Sunway Solar Co.,Ltd

E-mail:info@sunwaypv.com

Tel:+86 138 6693 1144

www.sunwaypv.com

Building 7, E-Commerce Supervision Zone, Huguang Road, Hefei, Anhui, China



## 5.5KW OFF GRID SOLAR INVERTER



### ★ MAIN FEATURES

- Pure sine wave solar inverter
- Output power factor 1
- High PV input voltage range
- Built-in MPPT solar controller
- Battery equalization function to optimize battery performance and extend lifecycle
- Inverter running without battery
- Built-in anti-dusk kit for harsh environment
- SK-5500P-48L parallel operation with up to 12 units support parallel in 1 phase/3 phase, support wireless parallel
- Support multiple output priority: UTL, SOL, SBU, SUB
- Wifi/GPRS remote monitoring
- RS485 communication for BMS (Optional)
- Detachable LCD

### ★ PERFORMANCE PARAMETER

MODEL	SK-5500P-48L
Single Module Capacity	5500W
Battery Type	Lead Acid/LiFePO4
Parallel Capability	Yes
<b>INPUT</b>	
Nominal Voltage	230VAC
Acceptable Voltage Range	170-280VAC(For personal computer), 90-280VAC(For home appliances)
Frequency	50Hz/60Hz(Auto sensing)
<b>OUTPUT</b>	
Nominal Voltage	220/230VAC±5%
Surge Power	11000VA
Frequency	50Hz/60Hz
Wave Form	Pure sine wave
Transfer Time	10ms(For personal computer), 20ms(For home appliances)
Peak Efficiency(PV to INV)	96%
Peak Efficiency(Battery to INV)	93%
Overload Protection	5s@≥150% load; 10@110%~150% load
Crest Factor	3:1
Admissible Power Factor	5s@≥150% load; 10@110%~150% load
<b>SOLAR CHARGE &amp; AC CHARGE</b>	
Solar Charge Type	MPPT
Maximum PV Array Power	5500W
Maximum PV Array Open Circuit Vol.	500VDC
PV Array of MPPT Voltage Range	60VDC~500VDC
Maximum Solar Input Current	18A
Maximum Solar Charge Current	100A
Maximum AC Charge Current	80A
Maximum Charge Current	100A
<b>PHYSICAL</b>	
Product Dimension(D*W*H mm)	448*295*129mm
Net Weight(kgs)	10KG
Communication Interface	RS485/RS232/Dry-contact
<b>ENVIRONMENT</b>	
Operation Temperature Range	-10°C~55°C
Storage Temperature	-15°C~50°C
Humidity	5% to 95% Relative Humidity(Non-condensing)

## 3.5KW PORTABLE AC EV CHARGER



### ★ Features:

- Beautiful appearance, handheld design conforms to ergonomic principles
- Easy to plug and unplug, excellent protective performance, the overall structure of the shell improves the protective performance
- The shell is made of thermoplastic plastic with high flame retardant rating
- No-load plugging and unplugging times reach more than 10,000 times



### ★ PERFORMANCE PARAMETER

Models	SWEVAC3.5K
Power	3.5KW
Rated Input Voltage	AC220V±15%
Rated Output Voltage	AC220V±15%
Rated Output Current	8~16A
Protection Level	IP55
Working Temperature	-30°C~+55°C

## Sunway Solar Co.,Ltd

E-mail: info@sunwaypv.com

Tel: +86 138 6693 1144

www.sunwaypv.com

Building 7, E-Commerce Supervision Zone, Huguang Road, Hefei, Anhui, China

